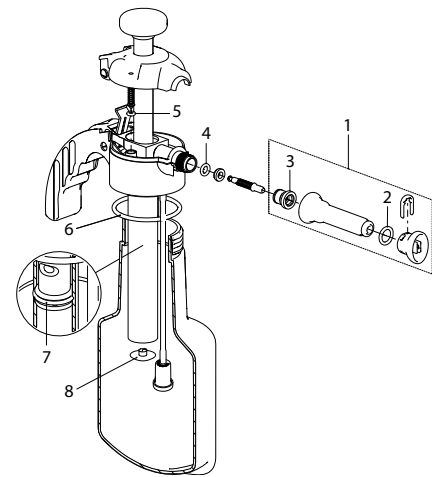




Foam-Matic 1.25 P / 75°



Foam-Matic 1.25 E / 75°



Refer also to **Clean-Matic 1.25 P/E, 360°** with optional foam nozzle, page 26

Foam-Matic 1.25 P, foam unit 75° (Acids)		11976501	130989
Foam-Matic 1.25 E, foam unit 75° (Alkalis)		11976601	130996
No	Gasket set Foam-Matic 1.25 P consisting of:	11614802-SB	700427
No	Gasket set Foam-Matic 1.25 E consisting of:	For model	11614804
2	O-Ring 10.78x2.62	1.25P/E	
3	Retainer ring	1.25P/E	
4	O-Ring 4.76x1.78	1.25P	
4	O-Ring 5x2	1.25E	
5	O-Ring 1.78x1.78	1.25P/E	
6	O-Ring 56.74x3.53	1.25P	
6	O-Ring 55.56x3.53	1.25E	
7	O-Ring 17.86x2.62	1.25P/E	
8	Pump gasket	1.25P/E	
No	Spare parts	For model	
1	Foam tube assy.	1.25P	11926201 113708
1	Foam tube assy.	1.25E	11927101 113715



Vario-Matic 1 P

Watering nozzle



Vario-Matic 1 P, Foam gun		11841001	020075
Accessories			
Watering nozzle		11882001	110189
Tank 2 lt		11841013	110196
Suction tube for 2 lt tank, incl. filter		11841035	110202
Screw cap for tanks 1lt / 2lt		11841014	110219
Filter with gasket		11841036	110226
No	Spare parts		
1	Tank 1 lt	11841012	110233
2	Foam adapter	11841016	110240
3	Deflector (for disinfection)	11841018	110257
4	Dosing tip assy.	11841024	110264
5	Suction tube 1 lt tank, incl. filter	11841034	110271
6	Trigger assy.	11882201	110288